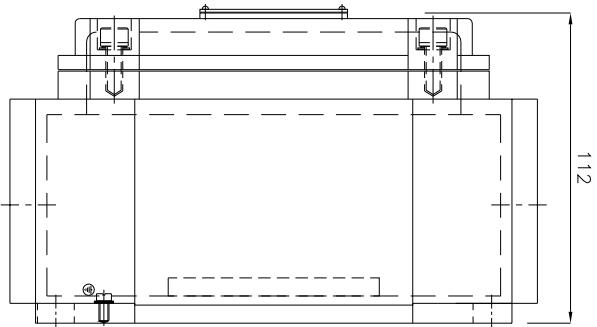


FRONT VIEW



SIDE VIEW

- Reference IS/IEC Standard as follows :
- 1 - FLAMEPROOF (Ex d) PROTECTION - IIA/IB & IIC, IS/IEC 60079-1 (2014)
 - TEMPERATURE CLASS - T6
 - 2 - INGRESS (IP) PROTECTION - IP-66, IS/IEC 60529 (2001). (Reaffirmed 2014)

Standard Specification :

- 1 - MATERIAL - CAST ALUMINIUM ALLOY
- 2 - FINISH - INSIDE & OUTSIDE LIGHT GREY EPOXY POWDER COATING SHADE No. 631 AS PER IS-5
- 3 - EARTHING - 1 No. INSIDE & 2 Nos. OUTSIDE M6 SIZE S.S./BRASS SCREWS WITH 2 Nos. PLAIN WASHER
- 4 - HARDWARE - STAINLESS STEEL
- 5 - GASKET - 'O' RING NEOPRENE RUBBER GASKET
- 6 - MOUNTING ARRGT. - AS SHOWN IN DRG.

Material / Components Specification :

- 1 - S.S. NAME CUM WARNING PLATE (WITH DESCRIPTION TITLE, CIMFR, PESO, SR. NO., GAS GROUP, RATING, BIS MARKING, WARNING STATUS, etc...)
- 2 - INTERNAL SIZE OF ENCLOSURE (BODY+COVER) - 160 x 160 x 80mm
- 3 - M.S. PLATE WITH WHITE EPOXY POWDER COATING WILL BE PROVIDED OF SIZE : $\phi 130 \times 2\text{mm}$ Thk. (ENCLOSURE OPENING $\phi 140\text{mm}$)
- 4 - TERMINALS - CLIP-ON TYPE TERMINALS OF 'CONNECTWELL/ELMEX' MAKE (DETAIL TO BE SPECIFIED BY CUSTOMER)
- 5 - CABLE GLAND - (Ex d) DOUBLE COMPRESSION TYPE CABLE GLAND OF 'SUDHIR' MAKE
- 6 - STOPPING PLUG - (Ex d) STOPPING PLUG OF 'SUDHIR' MAKE

Fitting OPTIONS :

- 1) MATERIAL CONSTRUCTION : STAINLESS STEEL
- 2) VOLTAGE : 415V AC
- 3) CABLE GLAND & PLUG : BRASS/S.S./ALUMINIUM
- 4) PAINT SHADE : 632/355/7031/7032, etc... (As per Standard)
- 5) CANOPY : M.S. / G.I. / FRP
- 6) AMP. RATING : UP TO 100 Amp. (MAX.)
- 7) CABLE ENTRIES : LEFT / RIGHT / TOP / BOTTOM SIDE
- 8) ENCLOSURE EXTERNAL SIZE : 184(W) x 184(H) x 110/190mm
- 9) ENCLOSURE INTERNAL SIZE : 160(W) x 160(H) x 80/160mm

NOTE :

COMPONENT LAYOUT IS TENTATIVE RELOCATION OF PARTS & COMPONENTS IS POSSIBLE AT THE TIME OF ACTUAL MANUFACTURING.
OVERALL DIMENSIONS ARE $\pm 10\text{mm}$

<p>NOTE : COMPONENT LAYOUT IS TENTATIVE RELOCATION OF PARTS & COMPONENTS IS POSSIBLE AT THE TIME OF ACTUAL MANUFACTURING. OVERALL DIMENSIONS ARE $\pm 10\text{mm}$</p>		<p>CAT. No. JB/20/217</p>
<p>DRG. No. JB/217</p>		<p>Model No. JB/217</p>
<p>DRG. No. JASKHW</p>	<p>CHKD. No. JASKHW</p>	<p>CHKD. No. JASKHW</p>
<p>SHEET 1 OF 1</p>	<p>SCALE N. T. S.</p>	<p>REV. - 0</p>
<p>DRG. No. IN/CIMFR/TR22/R/1223</p>	<p>CHKD. CERT. No. Dt. 21/07/2022</p>	<p>PESO No. : BIS LICENCE No. : CM/L-000331365</p>